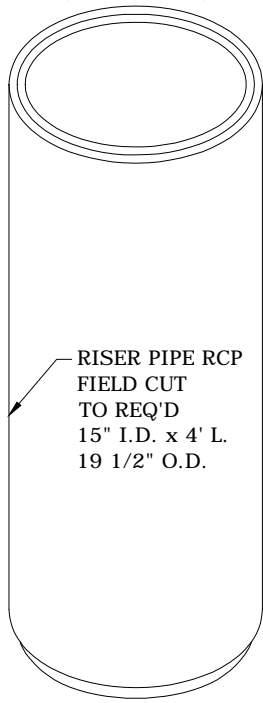
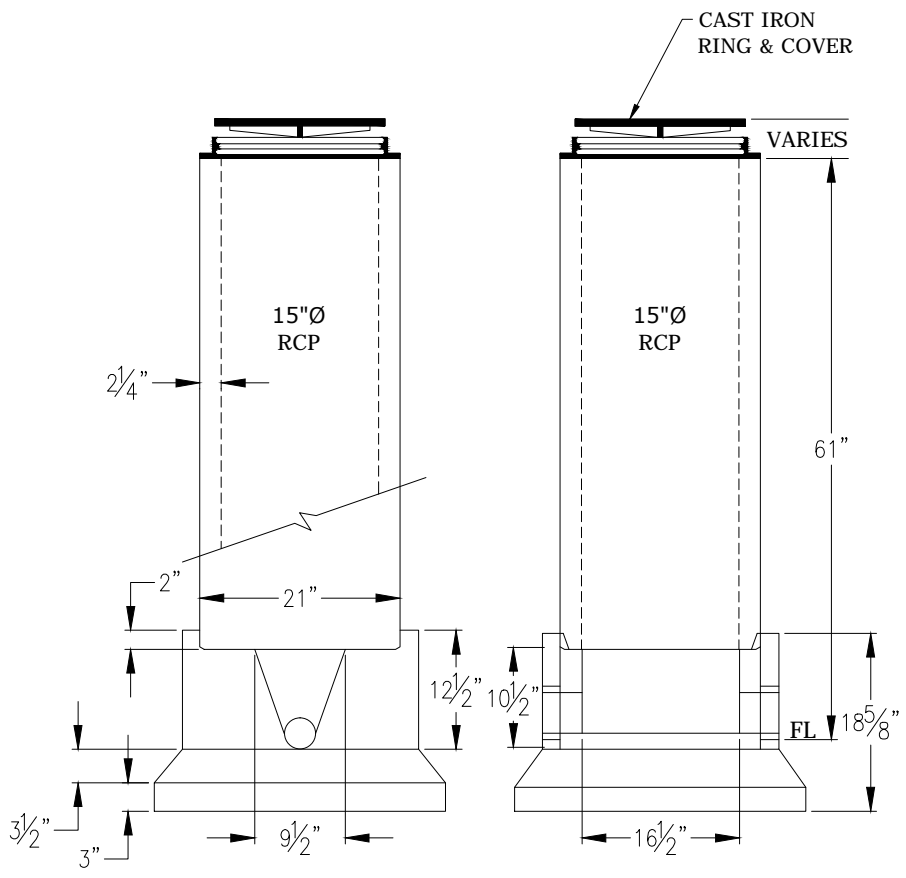


CAST IRON RING & COVER

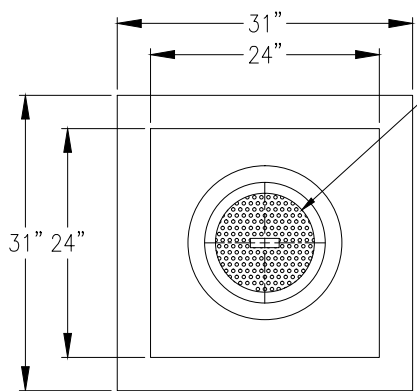


RISER PIPE RCP FIELD CUT TO REQ'D 15" I.D. x 4' L. 19 1/2" O.D.



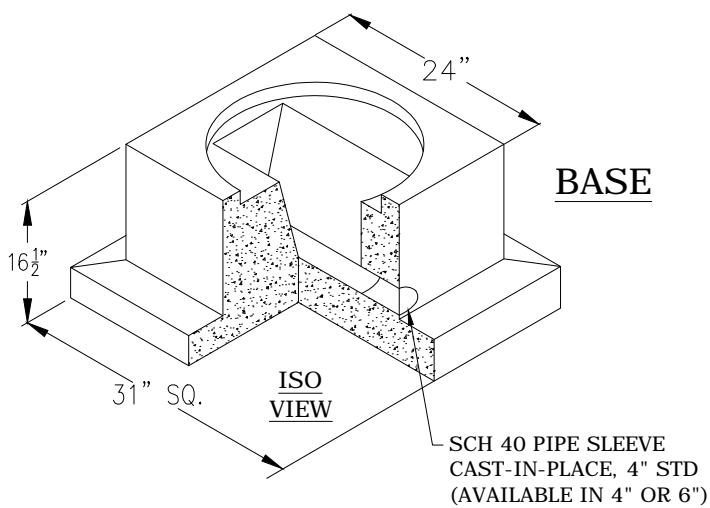
END VIEW

SIDE VIEW



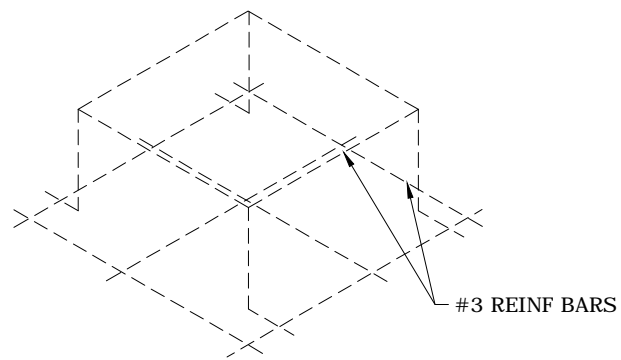
CAST IRON RING & COVER

TOP VIEW



BASE

ISO VIEW



REBAR LAYOUT

#3 REINF BARS

- NOTES:
 1. CONC: 6000 PSI AT 28 DAYS
 2. REINF: ASTM A615, GRADE 60
 3. WEIGHTS
 BASE = XXX LBS
 RISER = 500 LBS
 R & C = 79 LBS

WWW.TEXASPRECAST.NET
 TOLL FREE: 800-633-3235
 PHONE: 409-925-2502

TEXAS PRECAST, L.L.C.
 18303 HIGHWAY 6
 SANTA FE, TEXAS 77510

**MODEL
 SAMPLE WELL ASSEMBLY**